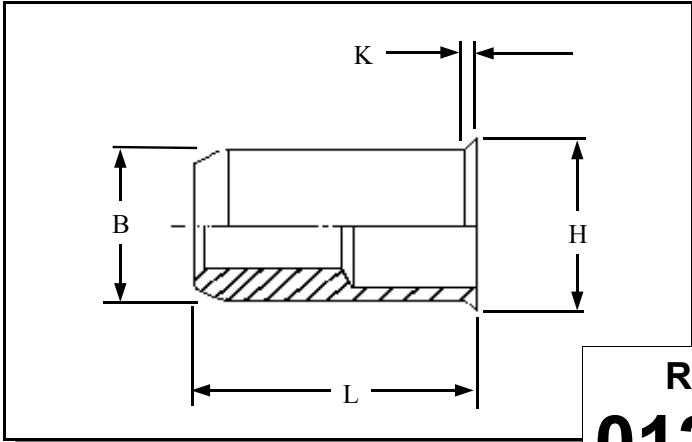




RIVETNUT TECHNOLOGY SYSTEMS LIMITED

RLOS IN STEEL



Round low profile head open ended Rivetnuts for material up to 4.50 mm thick

All dimensions in mm
Material :- Steel
Finish :- Zinc and yellow passivate

R.T.S. SALES LINE
01296 330331

TECHNICAL DATA SHEET

THREAD SIZE	GRIP RANGE	HOLE SIZE -0.0 +0.10	BODY DIA "B"	HEAD DIA "H" ± 0.10	LENGTH "L"	"K"	PART NUMBER
M4	0.50 to 3.50	7.00	6.95	8.00	11.50	0.30	RLOS-04035
M5	0.50 to 3.50	7.00	6.95	8.00	12.70	0.30	RLOS-05035
M6	0.50 to 3.00	8.00	7.95	9.00	13.50	0.50	RLOS-06030
M8	0.50 to 3.00	10.00	9.95	11.00	13.80	0.50	RLOS-08030
M10	0.50 to 3.00	12.00	11.95	12.70	17.00	0.50	RLOS-10030
	2.50 to 4.30						RLOS-10043

MICRO RANGE

THREAD SIZE	GRIP RANGE	HOLE SIZE -0.0 +0.10	BODY DIA "B"	HEAD DIA "H" ± 0.10	LENGTH "L"	"K"	PART NUMBER
M4	0.50 to 1.10	5.50	5.45	6.50	7.50	0.50	RLOS-04011
	1.10 to 2.10				8.50		RLOS-04021
M5	0.50 to 1.60	6.50	6.45	7.50	9.25	0.50	RLOS-05016
	1.60 to 3.10				10.75		RLOS-05031
M6	0.50 to 2.60	8.00	7.95	9.00	11.50	0.50	RLOS-06026
	2.60 to 4.10				13.00		RLOS-06041
M8	0.50 to 2.60	10.00	9.95	11.00	14.00	0.50	RLOS-08026
	2.60 to 4.30				16.00		RLOS-08043
M10	0.50 to 2.60	12.00	11.95	13.00	16.00	0.50	RLOS-10026
	2.60 to 4.30				17.00		RLOS-10043

For additional information and technical support please contact R.T.S. technical sales department . R.T.S. reserve the right to change specifications at any time . Information given is for guidance only and should not be used for specific design criteria without reference to our application engineers.