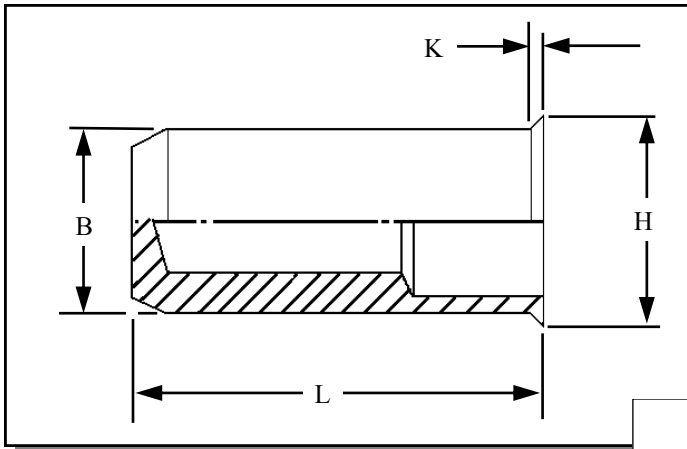




RIVETNUT TECHNOLOGY SYSTEMS LIMITED

RLCS-J (Imperial Body) IN STEEL



Round low profile head closed ended Rivetnuts for material up to 3.50 mm thick

All dimensions in mm
Material :- Low Carbon Steel
Finish :- Zinc Clear Cr3

R.T.S. SALES LINE
01296 330331

TECHNICAL DATA SHEET

| THREAD SIZE | GRIP RANGE | HOLE SIZE -0.0 +0.10 | BODY DIA "B" +0.10 | HEAD DIA "H" ± 0.10 | LENGTH "L" | "K" | PART NUMBER |
|-------------|--------------|-------------------------|--------------------------|---------------------------|---------------|------|------------------|
| M4 | 0.50 to 2.00 | 6.40 | 6.35 | 7.20 | 15.00 | 0.45 | RLCS-04020-V023J |
| M5 | 0.50 to 3.00 | 7.20 | 7.10 | 8.10 | 20.20 | 0.50 | RLCS-05030-V024J |
| M6 | 0.70 to 3.00 | 9.60 | 9.50 | 10.50 | 23.50 | 0.60 | RLCS-06030-V025J |
| M8 | 0.70 to 3.50 | 10.60 | 10.50 | 11.50 | 23.00 | 0.50 | RLCS-08035-V026J |

For additional information and technical support please contact R.T.S. technical sales department . R.T.S. reserve the right to change specifications at any time . Information given is for guidance only and should not be used for specific design criteria without reference to our application engineers.