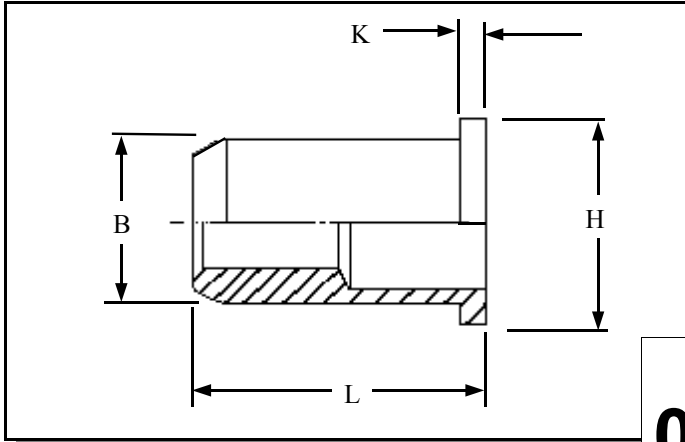




RIVETNUT TECHNOLOGY SYSTEMS LIMITED

RFOA-F IN ALUMINIUM



Round flat head open ended
Rivetnuts for material up to
6.00 mm thick

All dimensions in mm
Material :- Aluminium AlMg 2.5
Finish :- Self Colour

R.T.S. SALES LINE

01296 330331

TECHNICAL DATA SHEET

THREAD SIZE	GRIP RANGE	HOLE SIZE - 0.00 + 0.10	BODY DIA "B"	HEAD DIA "H" ± 0.10	LENGTH "L"	"K"	PART NUMBER
M3	0.30 to 1.80	5.00	4.90	7.00	9.00	0.80	RFOA-03018-F
	1.80 to 3.00				10.50		RFOA-03030-F
M4	0.30 to 2.50	6.00	5.90	9.00	11.00	1.00	RFOA-04025-F
	2.50 to 4.00				13.00		RFOA-04040-F
M5	0.50 to 3.00	7.00	6.90	10.00	13.00	1.20	RFOA-05030-F
	3.00 to 5.00				15.50		RFOA-05050-F
M6	0.50 to 2.30	9.00	8.90	12.00	14.50	1.50	RFOA-06023-F
	2.30 to 4.00				16.00		RFOA-06040-F
	4.00 to 6.00				17.50		RFOA-06060-F
M8	0.80 to 3.50	11.00	10.90	15.00	17.50	1.50	RFOA-08035-F
	3.50 to 6.00				20.00		RFOA-08060-F
M10	1.00 to 3.50	12.00	11.90	16.00	19.00	1.70	RFOA-10035-F
	3.50 to 6.00				22.00		RFOA-10060-F

For additional information and technical support please contact R.T.S. technical sales department . R.T.S. reserve the right to change specifications at any time . Information given is for guidance only and should not be used for specific design criteria without reference to our application engineers.