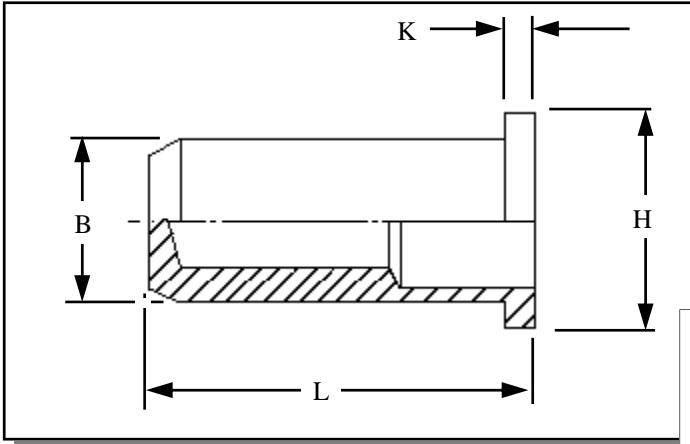




RIVETNUT TECHNOLOGY SYSTEMS LIMITED

RFCS IN MILD STEEL



Round flat head closed ended Rivetnuts for material up to 9.20 mm thick

All dimensions in mm
Material :- Mild Steel
Finish :- Zinc Cr3

R.T.S. SALES LINE
01296 330331

TECHNICAL DATA SHEET

THREAD SIZE	GRIP RANGE	HOLE SIZE -0.0 +0.10	BODY DIA "B"	HEAD DIA "H" ± 0.10	LENGTH "L"	"K"	PART NUMBER
M3	0.50 to 1.10 0.50 to 1.70 1.00 to 2.30 1.80 to 3.00	5.10	5.00	7.00	12.40 13.00 13.60 14.20	0.80	RFCS-03011 RFCS-03017 RFCS-03023 RFCS-03030
M4	0.50 to 1.30 0.50 to 2.10 0.50 to 3.00 1.30 to 3.70	6.10	6.00	8.00	15.80 16.60 17.50 18.20	0.80	RFCS-04013 RFCS-04021 RFCS-04030 RFCS-04037
M5	0.50 to 1.50 0.50 to 2.50 0.50 to 3.50 1.50 to 4.50	7.10	7.00	9.00	18.20 19.20 20.20 21.20	1.00	RFCS-05015 RFCS-05025 RFCS-05035 RFCS-05045
M6	0.50 to 1.50 0.50 to 2.50 1.00 to 3.50 2.00 to 4.50 3.00 to 5.50	9.10	9.00	11.00	22.40 23.40 24.40 25.40 26.40	1.20	RFCS-06015 RFCS-06025 RFCS-06035 RFCS-06045 RFCS-06055
M8	0.50 to 1.80 0.50 to 3.00 1.20 to 4.20 2.00 to 5.00 3.50 to 6.50	11.10	11.00	14.00	25.50 26.70 27.90 28.70 30.20	1.50	RFCS-08018 RFCS-08030 RFCS-08042 RFCS-08050 RFCS-08065
M10	0.50 to 2.20 0.50 to 4.00 2.00 to 5.50 4.00 to 7.00	13.10	13.00	16.00	32.80 34.30 35.80 37.30	1.50	RFCS-10022 RFCS-10040 RFCS-10055 RFCS-10070
M12	0.50 to 4.20 2.00 to 6.00 3.50 to 7.60 6.00 to 9.20	16.10	16.00	20.00	37.90 39.70 41.30 42.90	1.70	RFCS-12042 RFCS-12060 RFCS-12076 RFCS-12092

For additional information and technical support please contact R.T.S. technical sales department . R.T.S. reserve the right to change specifications at any time . Information given is for guidance only and should not be used for specific design criteria without reference to our application engineers.