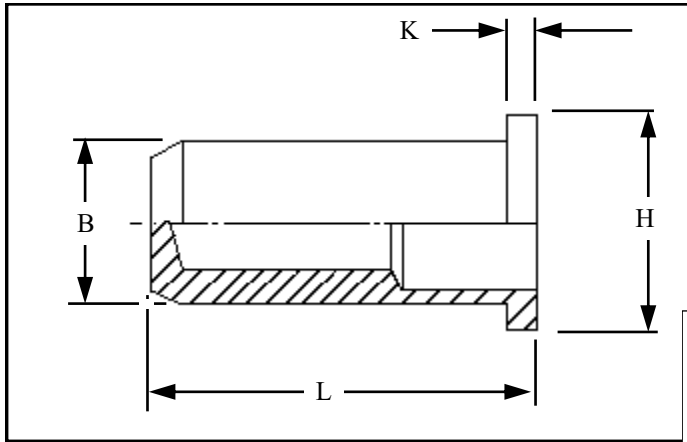




RIVETNUT TECHNOLOGY SYSTEMS LIMITED

RFCI-J IN STAINLESS STEEL



Round flat head closed ended Rivetnuts for material up to 7.50 mm thick

All dimensions in mm
Material :- Stainless Steel (AISI 304)
Finish :- Self colour

R.T.S. SALES LINE
01296 330331

TECHNICAL DATA SHEET

THREAD SIZE	GRIP RANGE	HOLE SIZE A/F -0.0 +0.10	BODY A/F "B"	HEAD DIA "H" ± 0.10	LENGTH "L"	"K"	PART NUMBER
M4	0.50 to 2.50	6.10	5.90	9.00	16.00	1.00	RFCI-04025-J
M5	0.50 to 3.00				18.00		RFCI-05030-J
	4.50 to 6.00	7.10	6.90	10.00	21.00	1.00	RFCI-05060-J
	6.00 to 7.50				23.50		RFCI-05075-J
M6	0.50 to 3.00	9.10	8.90	12.00	21.00	1.50	RFCI-06030-J
M8	0.50 to 3.00	11.10	10.90	15.00	23.50	1.50	RFCI-08030-J
M10	1.00 to 3.50	13.10	12.90	17.00	26.50	2.00	RFCI-10035-J

For additional information and technical support please contact R.T.S. technical sales department . R.T.S. reserve the right to change specifications at any time . Information given is for guidance only and should not be used for specific design criteria without reference to our application engineers.