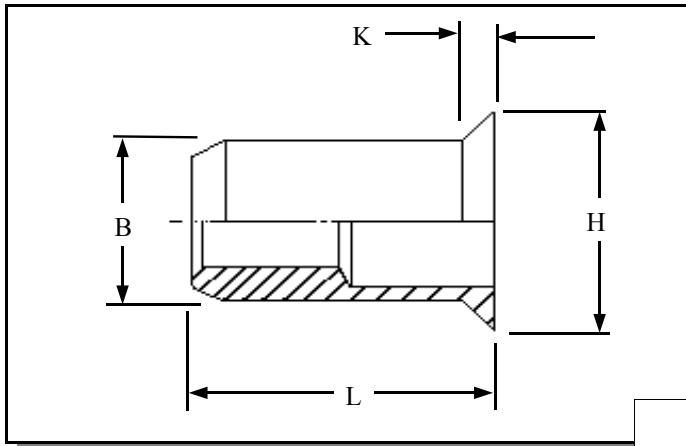




# RIVETNUT TECHNOLOGY SYSTEMS LIMITED

## RCOA IN ALUMINIUM



Round Countersunk head open ended Rivetnuts for material up to 7.60 mm thick

All dimensions in mm  
Material :- Aluminium  
Finish :- Self colour

**R.T.S. SALES LINE**  
**01296 330331**

TECHNICAL DATA SHEET

THREAD SIZE	GRIP RANGE	HOLE SIZE -0.0 +0.10	BODY DIA "B"	HEAD DIA "H" ± 0.10	LENGTH "L"	"K"	PART NUMBER
M3	1.00 to 1.70 1.10 to 2.30 2.00 to 3.00	5.10	5.00	6.80	7.80 8.40 9.00	1.00	RCOA-03017 RCOA-03023 RCOA-03030
M4	1.00 to 2.10 1.30 to 2.90 2.50 to 3.70	6.10	6.00	7.80	10.20 11.00 11.80	1.00	RCOA-04021 RCOA-04029 RCOA-04037
M5	1.00 to 2.50 1.50 to 3.50 3.00 to 4.50	7.10	7.00	8.80	11.80 12.80 13.80	1.00	RCOA-05025 RCOA-05035 RCOA-05045
M6	1.00 to 2.50 1.50 to 3.50 2.50 to 4.50 4.00 to 5.50	9.10	9.00	10.80	14.30 15.30 16.30 17.30	1.00	RCOA-06025 RCOA-06035 RCOA-06045 RCOA-06055
M8	1.50 to 3.00 1.80 to 4.20 3.00 to 5.40 5.00 to 6.60	11.10	11.00	13.80	15.70 16.90 18.10 19.30	1.50	RCOA-08030 RCOA-08042 RCOA-08054 RCOA-08066
M10	1.50 to 3.70 2.00 to 5.20 5.00 to 6.80	13.10	13.00	15.80	21.40 22.90 24.40	1.50	RCOA-10037 RCOA-10052 RCOA-10068
M12	2.00 to 4.20 2.00 to 5.90 4.00 to 7.60	16.10	16.00	19.80	24.10 25.90 27.70	2.00	RCOA-12042 RCOA-12059 RCOA-12076

For additional information and technical support please contact R.T.S. technical sales department . R.T.S. reserve the right to change specifications at any time . Information given is for guidance only and should not be used for specific design criteria without reference to our application engineers.