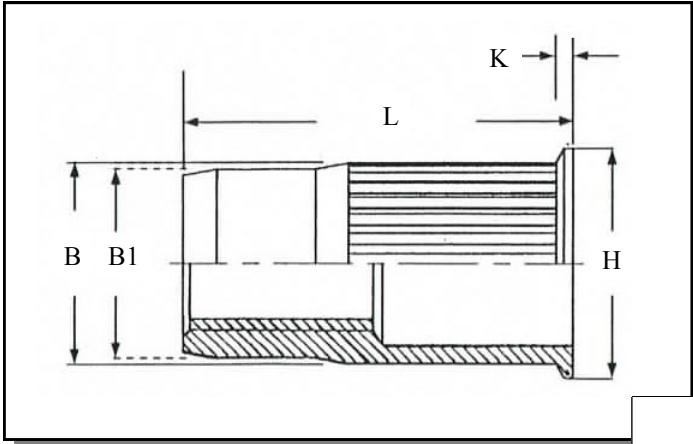




# RIVETNUT TECHNOLOGY SYSTEMS LIMITED

# TECHNICAL DATA SHEET

## KTOS-JV IN STEEL



Knurled Low profile open ended Rivetnuts for material up to 3.00 mm thick

All dimensions in mm  
 Material :- Mild Steel  
 Finish :- Zinc Plated Cr3 RoHS compliant

**R.T.S. SALES LINE**  
**01296 330331**

THREAD SIZE	GRIP RANGE	HOLE SIZE -0.0 +0.10	BODY DIA "B"	BODY DIA "B1"	HEAD DIA "H" ± 0.10	LENGTH "L"	"K"	PART NUMBER
M4	0.50 to 2.50	6.00	5.95	5.65	9.00	11.28	0.46	KTOS-04025-JV052
M5	0.50 to 3.00	7.00	6.95	6.65	10.00	12.60	0.46	KTOS-05030-JV053
M6	0.50 to 3.00	9.00	8.95	8.52	12.00	15.30	0.46	KTOS-06030-JV054
M8	0.50 to 3.00	11.00	10.95	10.52	14.00	17.30	0.46	KTOS-08030-JV055

For additional information and technical support please contact R.T.S. technical sales department . R.T.S. reserve the right to change specifications at any time . Information given is for guidance only and should not be used for specific design criteria without reference to our application engineers.