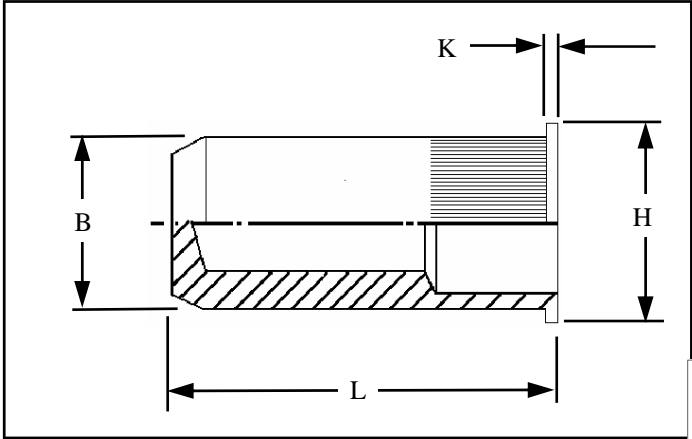




# RIVETNUT TECHNOLOGY SYSTEMS LIMITED

## KFCI-J IN STAINLESS STEEL



Round flat head closed ended  
Knurled body Rivetnuts  
for material up to  
5.50 mm thick.

All dimensions in mm  
Material :- Stainless Steel  
Finish :- Self Colour

**R.T.S. SALES LINE**  
**01296 330331**

TECHNICAL DATA SHEET

THREAD SIZE	GRIP RANGE	HOLE SIZE -0.0 +0.10	BODY DIA "B"	HEAD DIA "H" ± 0.10	LENGTH "L"	"K"	PART NUMBER
M6	3.00 to 5.00	9.00	8.95	12.00	23.00	1.50	KFCI-06050-J
M8	3.00 to 5.50	11.00	10.95	15.00	26.00	1.50	KFCI-08055-J
M10	3.00 to 5.50	13.00	12.90	17.00	29.00	2.00	KFCI-10055-J

For additional information and technical support please contact R.T.S. technical sales department . R.T.S. reserve the right to change specifications at any time . Information given is for guidance only and should not be used for specific design criteria without reference to our application engineers.