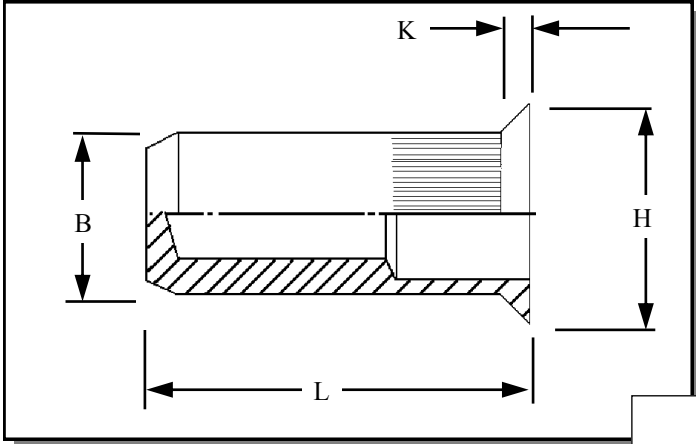




# RIVETNUT TECHNOLOGY SYSTEMS LIMITED

## KCCS IN MILD STEEL



Knurled Countersunk head closed ended Rivetnuts for material up to 9.20 mm thick

All dimensions in mm  
Material :- Mild Steel  
Finish :- Zinc Plated Cr3 RoHS compliant

**R.T.S. SALES LINE**  
**01296 330331**

**TECHNICAL DATA SHEET**

THREAD SIZE	GRIP RANGE	HOLE SIZE -0.0 +0.10	BODY DIA "B"	HEAD DIA "H" ± 0.10	LENGTH "L"	"K"	PART NUMBER
M3	1.10 to 1.70	5.10	5.00	6.80	12.30	1.00	KCCS-03017 KCCS-03023 KCCS-03030
	1.10 to 2.30				12.90		
	1.80 to 3.00				13.50		
M4	1.10 to 2.10	6.10	6.00	7.80	15.90	1.00	KCCS-04021 KCCS-04030 KCCS-04037
	1.10 to 3.00				16.80		
	2.50 to 3.70				17.50		
M5	1.10 to 2.50	7.10	7.00	8.80	18.30	1.00	KCCS-05025 KCCS-05035 KCCS-05045
	1.10 to 3.50				19.30		
	1.50 to 4.50				20.30		
M6	1.10 to 2.50	9.10	9.00	10.80	22.30	1.00	KCCS-06025 KCCS-06035 KCCS-06045 KCCS-06055
	1.10 to 3.50				23.30		
	2.00 to 4.50				24.30		
	3.00 to 5.50				25.30		
M8	1.80 to 3.00	11.10	11.00	13.80	25.30	1.50	KCCS-08030 KCCS-08042 KCCS-08050 KCCS-08065
	1.80 to 4.20				26.50		
	2.00 to 5.00				27.30		
	3.50 to 6.50				28.80		
M10	1.80 to 4.00	13.10	13.00	15.80	32.90	1.50	KCCS-10040 KCCS-10055 KCCS-10070
	2.00 to 5.50				34.40		
	4.00 to 7.00				35.90		
M12	2.50 to 4.20	16.10	16.00	19.80	36.30	2.00	KCCS-12042 KCCS-12060 KCCS-12076 KCCS-12092
	2.00 to 6.00				38.10		
	3.50 to 7.60				39.70		
	6.00 to 9.20				41.10		

For additional information and technical support please contact R.T.S. technical sales department . R.T.S. reserve the right to change specifications at any time . Information given is for guidance only and should not be used for specific design criteria without reference to our application engineers.