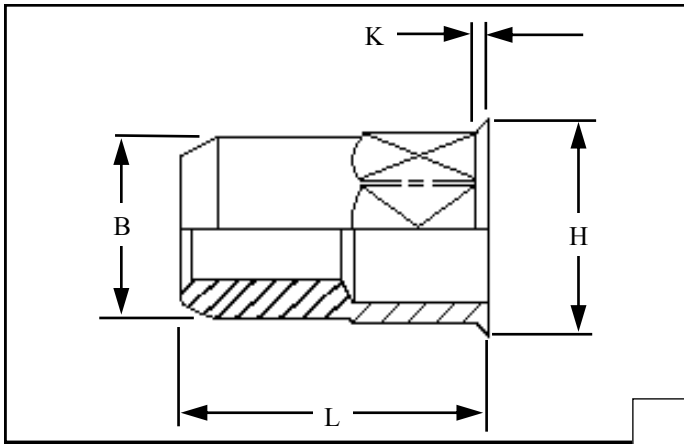




RIVETNUT TECHNOLOGY SYSTEMS LIMITED

HTOS IN STEEL



Hexagon thin sheet open ended Rivetnuts for material up to 3.75 mm thick

All dimensions in mm
Material :- Mild Steel
Finish :- Zinc Plated Cr3 RoHS compliant

R.T.S. SALES LINE
01296 330331

TECHNICAL DATA SHEET

THREAD SIZE	GRIP RANGE	HOLE SIZE A/F -0.0 +0.10	BODY A/F "B"	HEAD DIA "H" ± 0.10	LENGTH "L"	"K"	PART NUMBER
M3	0.50 to 2.30	5.00	4.85	5.60	10.25	0.40	HTOS-03023
M4	0.50 to 2.50	6.40	6.35	7.20	10.50	0.60	HTOS-04025-S
M5	0.50 to 3.00	7.20	7.15	8.10	12.10	0.50	HTOS-05030-S
M6	0.70 to 3.00	9.60	9.50	10.50	14.50	0.60	HTOS-06030-V009
M6	0.50 to 3.00	9.60	9.50	10.60	15.00	0.50	HTOS-06030-S
M8	0.70 to 3.0	10.60	10.50	11.60	16.00	0.60	HTOS-08030
M8	0.50 to 3.75	10.60	10.50	11.60	16.20	0.60	HTOS-08030-S