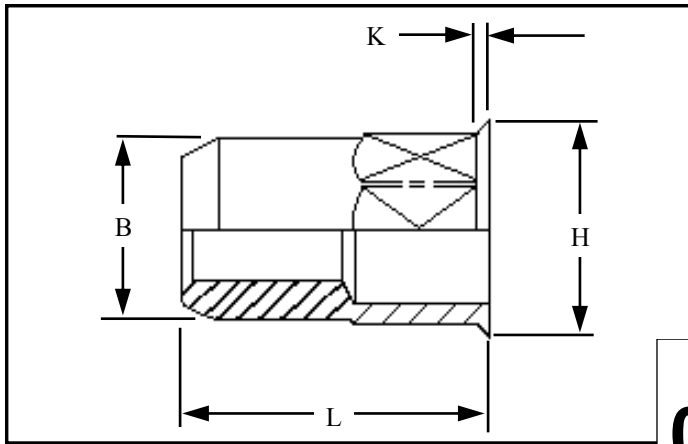




RIVETNUT TECHNOLOGY SYSTEMS LIMITED

HLOS IN STEEL



Hexagon low profile head open ended Rivetnuts for material up to 4.30 mm thick

All dimensions in mm
Material :- Mild Steel
Finish :- Zinc Plated Cr3 RoHS compliant

R.T.S. SALES LINE
01296 330331

TECHNICAL DATA SHEET

THREAD SIZE	GRIP RANGE	HOLE SIZE A/F -0.0 +0.10	BODY A/F "B"	HEAD DIA "H" ± 0.10	LENGTH "L"	"K"	PART NUMBER
M4	0.50 to 3.50	7.00	6.95	8.00	11.50	0.30	HLOS-04035
M5	0.50 to 3.50	7.00	6.95	8.00	12.70	0.30	HLOS-05035
M5	0.50 to 3.00	8.00	7.95	9.00	13.50	0.50	HLOS-05030-V037
M6	0.50 to 3.00	8.00	7.95	9.00	13.50 10.50	0.50	HLOS-06030 HLOS-06030-V008
M8	0.50 to 3.00	10.00	9.95	11.00	13.80	0.50	HLOS-08030
M10	0.50 to 3.00 0.50 to 3.00 2.50 to 4.30	12.00	11.95	13.00	17.00 15.00 17.00	0.50	HLOS-10030 HLOS-10030-V032 HLOS-10043

For additional information and technical support please contact R.T.S. technical sales department . R.T.S. reserve the right to change specifications at any time . Information given is for guidance only and should not be used for specific design criteria without reference to our application engineers.