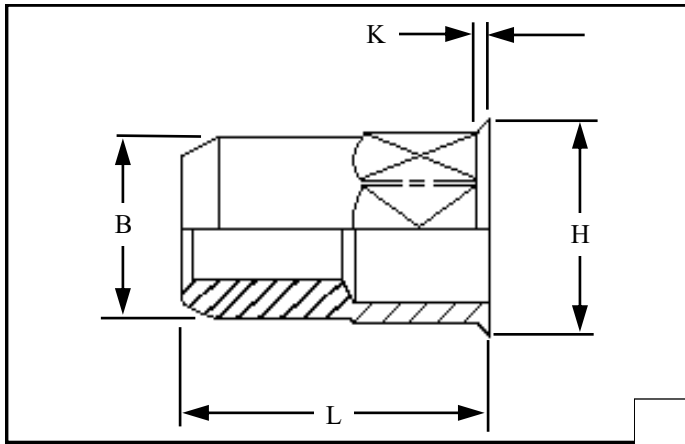




RIVETNUT TECHNOLOGY SYSTEMS LIMITED

HLOI-J IN STAINLESS STEEL



Hexagon low profile head open ended Rivetnuts for material up to 6.00 mm thick

All dimensions in mm
Material :- Stainless Steel (AISI 303)
Finish :- Self colour

R.T.S. SALES LINE
01296 330331

TECHNICAL DATA SHEET

THREAD SIZE	GRIP RANGE	HOLE SIZE A/F -0.0 +0.10	BODY A/F "B"	HEAD A/F "H" ± 0.10	LENGTH "L"	"K"	PART NUMBER
M3	0.5 to 2.0	5.10	5.00	6.00	9.00	0.50	HLOI-03020-J
M4	0.50 to 2.50	6.10	6.00	7.00	11.00	0.50	HLOI-04025-J
	2.50 to 4.00				12.50		HLOI-04040-J
M5	0.50 to 3.00	7.10	7.00	8.00	12.00	0.50	HLOI-05030-J
	3.00 to 4.50				13.50		HLOI-05045-J
M6	0.50 to 3.00	9.10	9.00	10.00	14.00	0.50	HLOI-06030-J
	3.00 to 5.00				16.00		HLOI-06050-J
M8	0.50 to 3.00	11.10	11.00	12.00	16.00	0.50	HLOI-08030-J
	3.00 to 5.00				18.50		HLOI-08050-J
M10	1.00 to 3.50	13.10	13.00	14.20	19.00	0.70	HLOI-10035-J
	3.50 to 6.00				21.50		HLOI-10060-J

For additional information and technical support please contact R.T.S. technical sales department . R.T.S. reserve the right to change specifications at any time . Information given is for guidance only and should not be used for specific design criteria without reference to our application engineers.