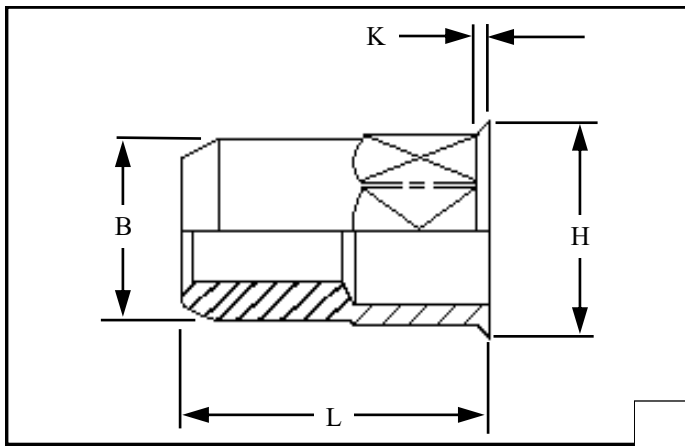




RIVETNUT TECHNOLOGY SYSTEMS LIMITED

HLOI-CD316 IN STAINLESS STEEL



Hexagon low profile head open ended Rivetnuts for material up to 6.00 mm thick

All dimensions in mm
Material :- 316 Stainless Steel
Contains >2% Molybden
Finish :- Self colour

R.T.S. SALES LINE
01296 330331

TECHNICAL DATA SHEET

THREAD SIZE	GRIP RANGE	HOLE SIZE A/F -0.0 +0.10	BODY A/F "B"	HEAD A/F "H" ± 0.10	LENGTH "L"	"K"	PART NUMBER
M4	0.50 to 2.00	6.10	6.00	6.50	11.00	0.50	HLOI-04020-CD316
M5	0.50 to 3.00	7.10	7.00	7.50	12.00	0.50	HLOI-05030-CD316
M6	0.50 to 3.00	9.10	9.00	9.70	14.50	0.50	HLOI-06030-CD316
	3.00 to 5.00				16.50		HLOI-06050-CD316
M8	0.50 to 3.00	11.10	11.00	11.80	16.00	0.50	HLOI-08030-CD316
	3.00 to 5.50				18.50		HLOI-08055-CD316
M10	0.80 to 3.50	13.10	13.00	13.80	21.00	0.70	HLOI-10035-CD316
	3.50 to 6.00				23.50		HLOI-10060-CD316

For additional information and technical support please contact R.T.S. technical sales department . R.T.S. reserve the right to change specifications at any time . Information given is for guidance only and should not be used for specific design criteria without reference to our application engineers.