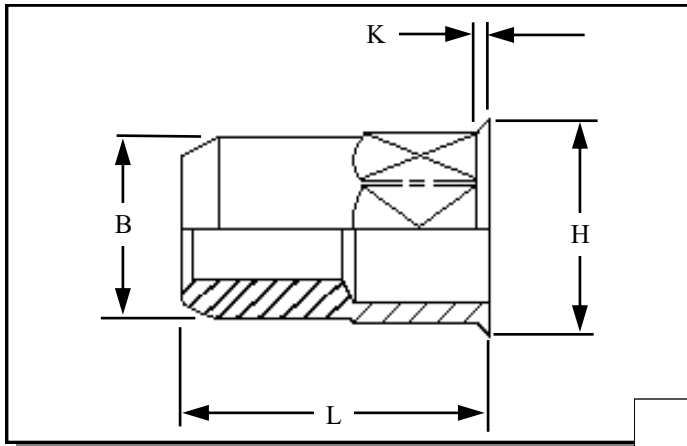




# RIVETNUT TECHNOLOGY SYSTEMS LIMITED

## HLOI-CD IN STAINLESS STEEL



Hexagon low profile head open ended Rivetnuts for material up to 7.00 mm thick

All dimensions in mm  
Material :- Stainless Steel (AISI 304)  
Finish :- Self colour

**R.T.S. SALES LINE**  
**01296 330331**

**TECHNICAL DATA SHEET**

THREAD SIZE	GRIP RANGE	HOLE SIZE A/F -0.0 +0.10	BODY A/F "B"	HEAD A/F "H" ± 0.10	LENGTH "L"	"K"	PART NUMBER
M4	0.50 to 2.00	6.10	6.00	6.50	11.00	0.50	HLOI-04020-CD
M5	0.50 to 3.00	7.10	7.00	7.50	12.00	0.50	HLOI-05030-CD
	3.00 to 5.00				14.00		<a href="#">HLOI-05050-CD</a>
M6	0.50 to 3.00	9.10	9.00	9.70	14.50	0.50	HLOI-06030-CD
	3.00 to 5.00				16.50		HLOI-06050-CD
	5.00 to 7.00				18.50		HLOI-06070-CD
M8	0.50 to 3.00	11.10	11.00	11.80	16.00	0.50	HLOI-08030-CD
	3.00 to 5.50				18.50		<a href="#">HLOI-08055-CD</a>
M10	0.80 to 3.50	13.10	13.00	13.80	21.00	0.70	HLOI-10035-CD
	3.50 to 6.00				23.50		<a href="#">HLOI-10060-CD</a>

For additional information and technical support please contact R.T.S. technical sales department . R.T.S. reserve the right to change specifications at any time . Information given is for guidance only and should not be used for specific design criteria without reference to our application engineers.