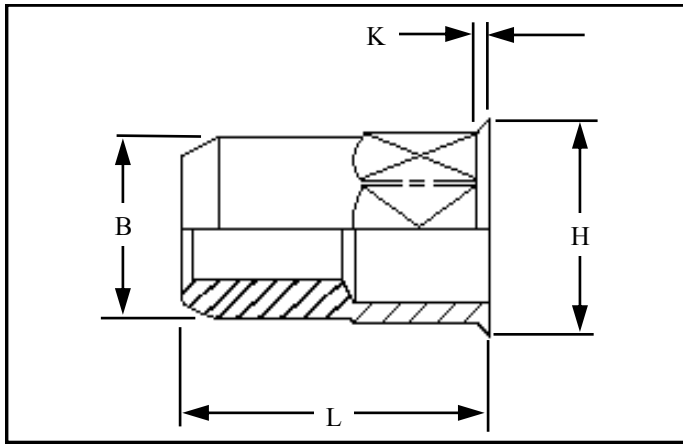




RIVETNUT TECHNOLOGY SYSTEMS LIMITED

HLOI IN STAINLESS STEEL



Hexagon low profile head open ended Rivetnuts for material up to 9.20 mm thick

All dimensions in mm
Material :- Stainless Steel (AISI 303)
Finish :- Self colour

R.T.S. SALES LINE

01296 330331

TECHNICAL DATA SHEET

THREAD SIZE	GRIP RANGE	HOLE SIZE A/F -0.0 +0.10	BODY A/F "B"	HEAD DIA "H" ± 0.10	LENGTH "L"	"K"	PART NUMBER
M3	0.50 to 1.10	5.10	5.00	5.80	6.70	0.30	HLOI-03011
	1.00 to 2.30				7.90		HLOI-03023
	2.00 to 3.20				9.10		HLOI-03032
	3.20 to 4.10				10.00		HLOI-03041
M4	0.50 to 1.30	6.10	6.00	6.80	8.40	0.30	HLOI-04013
	1.00 to 3.00				9.90		HLOI-04030
	2.50 to 3.70				10.90		HLOI-04037
	3.00 to 4.20				11.30		HLOI-04042
	4.20 to 5.50				12.60		HLOI-04055
M5	0.50 to 1.50	7.10	7.00	8.00	9.60	0.40	HLOI-05015
	0.50 to 2.50				10.60		HLOI-05025
	1.50 to 3.50				12.90		HLOI-05035
	3.00 to 4.50				12.60		HLOI-05045
M6	0.50 to 1.50	9.10	9.00	10.00	11.90	0.40	HLOI-06015
	1.50 to 3.50				13.90		HLOI-06035
	2.50 to 4.50				14.90		HLOI-06045
	3.50 to 5.50				15.90		HLOI-06055
	5.00 to 6.50				16.80		HLOI-06065
M8	0.50 to 1.80	11.10	11.00	12.00	14.40	0.40	HLOI-08018
	1.00 to 3.00				15.60		HLOI-08030
	2.20 to 4.20				16.80		HLOI-08042
	3.00 to 5.00				17.60		HLOI-08050
	4.50 to 6.50				19.10		HLOI-08065
M10	0.50 to 3.20	13.10	13.00	14.50	19.10	0.60	HLOI-10032
	2.50 to 5.50				21.40		HLOI-10055
	3.50 to 6.50				22.40		HLOI-10065
	5.50 to 7.50				23.40		HLOI-10075
M12	0.50 to 4.20	16.10	16.00	17.50	23.00	0.60	HLOI-12042
	2.50 to 6.00				24.40		HLOI-12060
	4.00 to 7.60				26.00		HLOI-12076
	7.00 to 9.20				27.60		HLOI-12092

For additional information and technical support please contact R.T.S. technical sales department . R.T.S. reserve the right to change specifications at any time . Information given is for guidance only and should not be used for specific design criteria without reference to our application engineers.