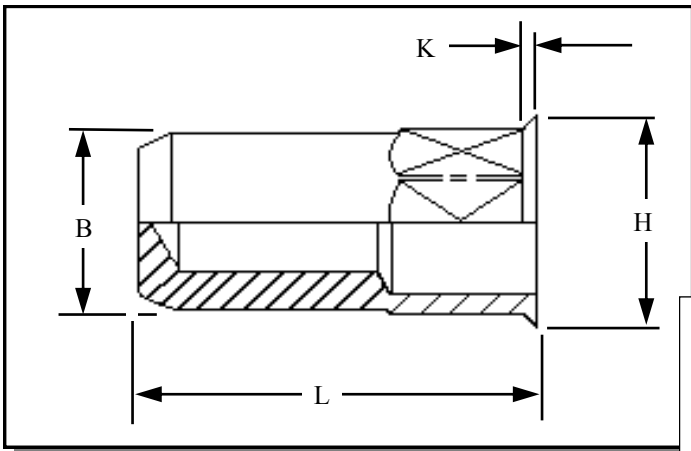




RIVETNUT TECHNOLOGY SYSTEMS LIMITED

HLCS IN MILD STEEL



Hexagon low profile head closed ended Rivetnuts for material up to 9.20 mm thick

All dimensions in mm
Material :- Mild Steel
Finish :- Zinc Plated Cr3 RoHS compliant

R.T.S. SALES LINE
01296 330331

TECHNICAL DATA SHEET

THREAD SIZE	GRIP RANGE	HOLE SIZE A/F -0.0 +0.10	BODY A/F "B"	HEAD DIA "H" ± 0.10	LENGTH "L"	"K"	PART NUMBER
M3	0.50 to 1.10 1.00 to 2.30 2.10 to 3.20 3.00 to 4.10	5.10	5.00	5.80	11.90 13.10 13.80 14.70	0.30	HLCS-03011 HLCS-03023 HLCS-03032 HLCS-03041
M4	0.50 to 1.30 1.00 to 3.00 2.20 to 4.20 3.00 to 5.50	6.10	6.00	6.80	15.10 16.70 18.00 19.50	0.30	HLCS-04013 HLCS-04030 HLCS-04042 HLCS-04055
M5	0.50 to 1.50 0.50 to 2.50 1.50 to 3.50 2.50 to 4.50	7.10	7.00	8.00	16.80 17.80 19.30 20.30	0.40	HLCS-05015 HLCS-05025 HLCS-05035 HLCS-05045
M6	0.50 to 1.50 1.50 to 3.50 2.50 to 4.50 3.50 to 5.50 4.50 to 6.50 6.50 to 8.00	9.10	9.00	10.00	21.30 23.30 24.30 25.30 26.30	0.40	HLCS-06015 HLCS-06035 HLCS-06045 HLCS-06055 HLCS-06065 HLCS-06080
M8	0.50 to 1.80 1.00 to 3.00 2.30 to 4.20 3.00 to 5.00 4.50 to 6.50 6.50 to 8.00	11.10	11.00	12.00	24.20 25.40 26.70 27.50 28.50	0.40	HLCS-08018 HLCS-08030 HLCS-08042 HLCS-08050 HLCS-08065 HLCS-08080
M10	0.50 to 3.20 2.00 to 5.50 3.00 to 6.50 4.50 to 7.50	13.10	13.00	14.50	31.90 34.40 35.40 36.40	0.60	HLCS-10032 HLCS-10055 HLCS-10065 HLCS-10075
M12	0.50 to 4.20 2.00 to 6.00 3.50 to 7.60 6.00 to 9.20	16.10	16.00	17.50	36.30 38.20 39.70 41.30	0.60	HLCS-12042 HLCS-12060 HLCS-12076 HLCS-12092

For additional information and technical support please contact R.T.S. technical sales department . R.T.S. reserve the right to change specifications at any time . Information given is for guidance only and should not be used for specific design criteria without reference to our application engineers.