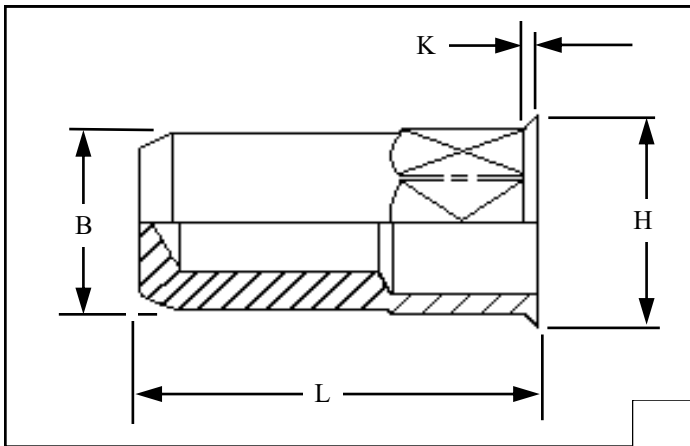




RIVETNUT TECHNOLOGY SYSTEMS LIMITED

HLCI-CD316 IN STAINLESS STEEL



Hexagon low profile head closed ended Rivetnuts for material up to 5.50 mm thick

All dimensions in mm
Material :- 316 Stainless steel
Finish :- Self colour

R.T.S. SALES LINE
01296 330331

TECHNICAL DATA SHEET

THREAD SIZE	GRIP RANGE	HOLE SIZE A/F -0.0 +0.10	BODY A/F "B"	HEAD DIA "H" ± 0.10	LENGTH "L"	"K"	PART NUMBER
M4	0.50 to 2.00	6.10	6.00	6.50	15.50	0.50	HLCI-04020-CD316
M5	0.50 to 3.00	7.10	7.00	7.50	18.00	0.50	HLCI-05030-CD316
	3.00 to 5.50				20.50		HLCI-05055-CD316
M6	0.50 to 3.00	9.10	9.00	9.70	21.50	0.50	HLCI-06030-CD316
	3.00 to 5.00				23.50		HLCI-06050-CD316
M8	0.50 to 3.00	11.10	11.00	11.80	24.00	0.50	HLCI-08030-CD316
	3.00 to 5.50				26.50		HLCI-08055-CD316

For additional information and technical support please contact R.T.S. technical sales department . R.T.S. reserve the right to change specifications at any time . Information given is for guidance only and should not be used for specific design criteria without reference to our application engineers.