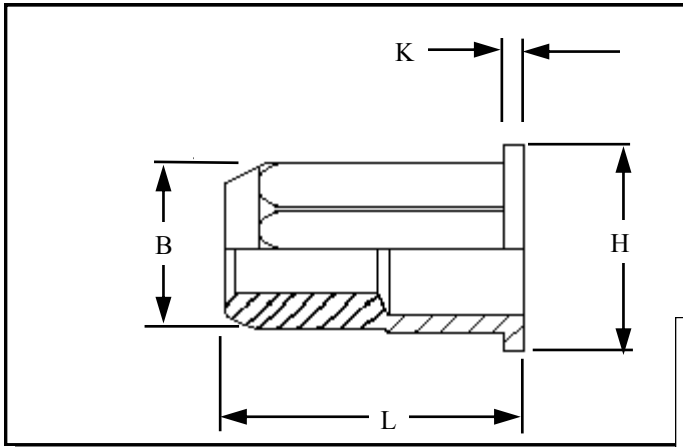


# RIVETNUT TECHNOLOGY SYSTEMS LIMITED

## HFOS-CD-B IN MILD STEEL



All Hexagon body flat head open ended Rivetnuts for material up to 8.00 mm thick

All dimensions in mm  
Material :- Mild Steel  
Finish :- Zinc Cr3

**R.T.S. SALES LINE**  
**01296 330331**

TECHNICAL DATA SHEET

THREAD SIZE	GRIP RANGE	HOLE SIZE -0.0 +0.10	BODY DIA "B"	HEAD DIA "H" ± 0.10	LENGTH "L"	"K"	PART NUMBER
M4	0.50 to 2.00	6.10	6.00	9.00	11.00	1.00	HFOS-04020-CD
M4	0.50 to 2.00	6.10	6.00	9.00	11.00	1.00	HFOS-04020-B
M5	0.50 to 3.00	7.10	7.00	10.00	14.00	1.00	HFOS-05030-CD
M5	0.50 to 3.00	7.10	7.00	10.00	14.00	1.00	HFOS-05030-B
M6	0.50 to 3.00	9.10	9.00	13.00	16.00	1.50	HFOS-06030-CD
	3.00 to 5.50				18.00		HFOS-06055-CD
M6	0.50 to 3.00	9.10	9.00	13.00	15.50	1.00	HFOS-06030-B
M8	0.50 to 3.00	11.10	11.00	15.00	18.00	1.50	HFOS-08030-CD
	3.00 to 5.50				20.50		HFOS-08055-CD
	5.50 to 8.00				23.50		HFOS-08080-CD *
M8	0.50 to 3.00	11.10	11.00	16.00	17.50	1.00	HFOS-08030-B
M10	0.50 to 3.50	13.10	13.00	19.00	23.00	1.50	HFOS-10035-CD
	3.00 to 6.00				25.50		HFOS-10060-CD *

**\* THESE PARTS ARE MADE TO ORDER**

For additional information and technical support please contact R.T.S. technical sales department . R.T.S. reserve the right to change specifications at any time . Information given is for guidance only and should not be used for specific design criteria without reference to our application engineers.