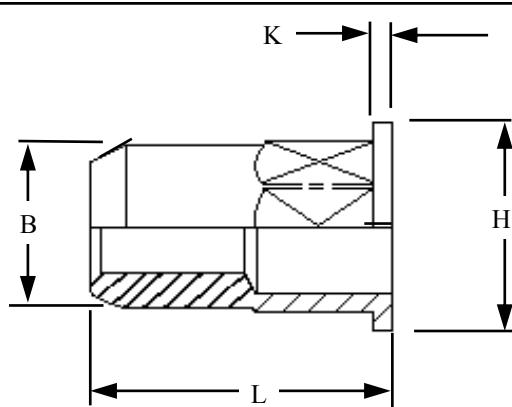




RIVETNUT TECHNOLOGY SYSTEMS LIMITED

HFOS IN MILD STEEL



Hexagon flat head open ended
Rivetnuts for material up to
11.00 mm thick

All dimensions in mm
Material :- Mild Steel
Finish :- Zinc Plated Cr3 RoHS compliant

R.T.S. SALES LINE
01296 330331

TECHNICAL DATA SHEET

THREAD SIZE	GRIP RANGE	HOLE SIZE -0.0 +0.10	BODY DIA "B"	HEAD DIA "H" ± 0.10	LENGTH "L"	"K"	PART NUMBER
M3	0.50 to 1.10 0.50 to 1.70 1.10 to 2.30 2.30 to 3.00	5.10	5.00	7.00	7.90 8.50 9.10 9.70	0.80	HFOS-03011 HFOS-03017 HFOS-03023 HFOS-03030
M4	0.50 to 1.30 0.50 to 2.10 1.30 to 3.00 3.00 to 3.70	6.10	6.00	8.00	10.10 10.90 11.70 12.50	0.80	HFOS-04013 HFOS-04021 HFOS-04030 HFOS-04037
M5	0.50 to 1.50 0.50 to 2.50 1.50 to 3.50 3.50 to 4.50	7.10	7.00	9.00	11.70 12.70 13.70 14.70	1.00	HFOS-05015 HFOS-05025 HFOS-05035 HFOS-05045
M6	0.50 to 1.50 0.50 to 2.50 1.50 to 3.50 2.50 to 4.50 4.50 to 5.50	9.10	9.00	11.00	14.40 15.40 16.40 17.40 18.40	1.20	HFOS-06015 HFOS-06025 HFOS-06035 HFOS-06045 HFOS-06055
M8	0.50 to 1.80 0.50 to 3.00 1.80 to 4.20 1.80 to 5.00 5.00 to 6.60 8.00 to 11.00	11.10	11.00	14.00	15.90 17.10 18.30 19.50 20.70 28.00	1.50	HFOS-08018 HFOS-08030 HFOS-08042 HFOS-08050 HFOS-08066 HFOS-08110
M10	0.50 to 2.20 0.50 to 3.70 2.20 to 5.50 5.50 to 6.80	13.10	13.00	16.00	21.30 22.80 24.50 25.80	1.50	HFOS-10022 HFOS-10037 HFOS-10055 HFOS-10068
M12	0.50 to 2.50 0.50 to 4.20 2.50 to 5.90 5.00 to 7.60	16.10	16.00	20.00	23.90 25.70 27.50 29.30	1.70	HFOS-12025 HFOS-12042 HFOS-12059 HFOS-12076
M16	0.50 to 5.80 2.00 to 8.20 6.00 to 11.00	21.10	21.00	26.00	32.90 35.30 38.10	2.50	HFOS-16058 HFOS-16082 HFOS-16110

For additional information and technical support please contact R.T.S. technical sales department . R.T.S. reserve the right to change specifications at any time . Information given is for guidance only and should not be used for specific design criteria without reference to our application engineers.