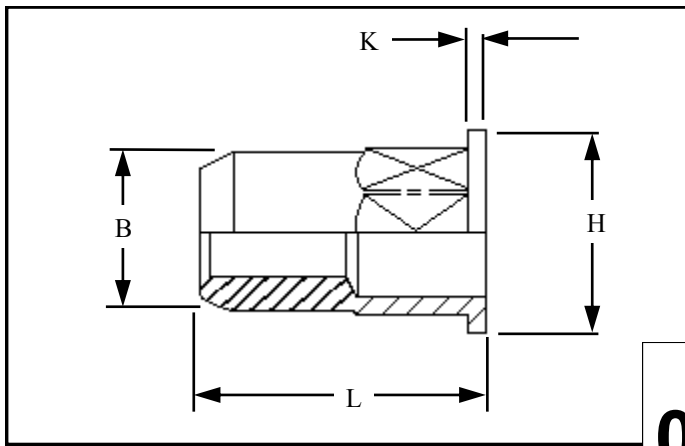




RIVETNUT TECHNOLOGY SYSTEMS LIMITED

HFOI-J IN STAINLESS STEEL



Hexagon flat head open ended Rivetnuts for material up to 5.50 mm thick

All dimensions in mm
Material :- Stainless Steel (AISI 303)
Finish :- self colour

R.T.S. SALES LINE
01296 330331

TECHNICAL DATA SHEET

THREAD SIZE	GRIP RANGE	HOLE SIZE A/F -0.0 +0.10	BODY A/F "B"	HEAD "H" ± 0.10	LENGTH "L"	"K"	PART NUMBER
M4	0.50 to 2.50	6.10	6.00	9.00	12.00	1.00	HFOI-04025-J
	2.50 to 4.00				13.50		HFOI-04040-J
M5	0.50 to 3.00	7.10	7.00	10.00	13.00	1.00	HFOI-05030-J
	3.00 to 4.50				14.50		HFOI-05045-J
M6	0.50 to 3.00	9.10	9.00	12.00	15.50	1.50	HFOI-06030-J
	3.00 to 5.00				17.50		HFOI-06050-J
M8	0.50 to 3.00	11.10	11.00	14.50	17.50	1.50	HFOI-08030-J
	3.00 to 5.50				20.00		HFOI-080-55-J
M10	1.00 to 3.50	13.10	13.00	16.50	21.00	2.00	HFOI-10035-J

For additional information and technical support please contact R.T.S. technical sales department . R.T.S. reserve the right to change specifications at any time . Information given is for guidance only and should not be used for specific design criteria without reference to our application engineers.

RIVETNUT TECHNOLOGY SYSTEMS LTD. DATA SHEET No HFOI-J AUGUST 1997 (Revised 13/08/2014)