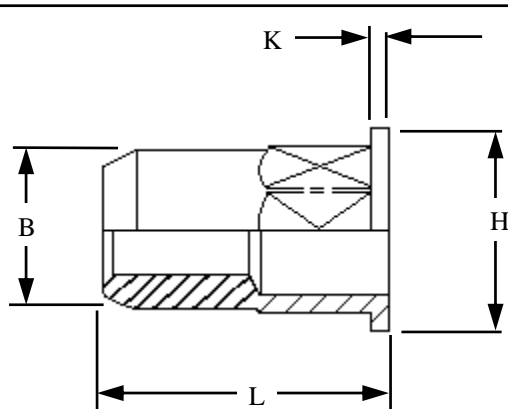




RIVETNUT TECHNOLOGY SYSTEMS LIMITED

HFOI IN STAINLESS STEEL



Hexagon flat head open ended Rivetnuts for material up to 9.20 mm thick

All dimensions in mm
Material :- Stainless Steel (AISI 303)
Finish :- self colour

R.T.S. SALES LINE

01296 330331

TECHNICAL DATA SHEET

THREAD SIZE	GRIP RANGE	HOLE SIZE -0.0 +0.10	BODY DIA "B"	HEAD DIA "H" ± 0.10	LENGTH "L"	"K"	PART NUMBER
M3	0.50 to 1.10 0.50 to 1.70 1.00 to 2.30 2.30 to 3.00	5.10	5.00	7.00	7.40 8.00 8.60 9.20	0.80	HFOI-03011 HFOI-03017 HFOI-03023 HFOI-03030
M4	0.50 to 1.30 1.00 to 2.10 1.80 to 3.00 2.50 to 3.70	6.10	6.00	8.00	9.10 9.80 10.70 11.50	0.80	HFOI-04013 HFOI-04021 HFOI-04030 HFOI-04037
M5	0.50 to 1.50 0.50 to 2.50 1.50 to 3.50 3.00 to 4.50	7.10	7.00	9.00	10.50 11.50 12.20 13.50	1.00	HFOI-05015 HFOI-05025 HFOI-05035 HFOI-05045
M6	0.50 to 1.50 0.50 to 2.50 1.50 to 3.50 2.50 to 4.50 3.50 to 5.50	9.10	9.00	11.00	13.00 14.00 15.00 16.10 17.10	1.20	HFOI-06015 HFOI-06025 HFOI-06035 HFOI-06045 HFOI-06055
M8	0.50 to 1.80 1.00 to 3.00 2.20 to 4.20 3.00 to 5.00 4.50 to 6.50	11.10	11.00	14.00	15.70 16.90 18.10 18.90 20.40	1.50	HFOI-08018 HFOI-08030 HFOI-08042 HFOI-08050 HFOI-08065
M10	0.50 to 2.50 1.00 to 4.00 2.50 to 5.50 4.50 to 7.00	13.10	13.00	16.00	19.80 21.30 22.80 24.30	1.50	HFOI-10025 HFOI-10040 HFOI-10055 HFOI-10070
M12	0.50 to 4.20 2.50 to 6.00 4.00 to 7.60 7.00 to 9.20	16.10	16.00	20.00	23.30 26.00 28.50 30.10	1.70	HFOI-12042 HFOI-12060 HFOI-12076 HFOI-12092

For additional information and technical support please contact R.T.S. technical sales department . R.T.S. reserve the right to change specifications at any time . Information given is for guidance only and should not be used for specific design criteria without reference to our application engineers.