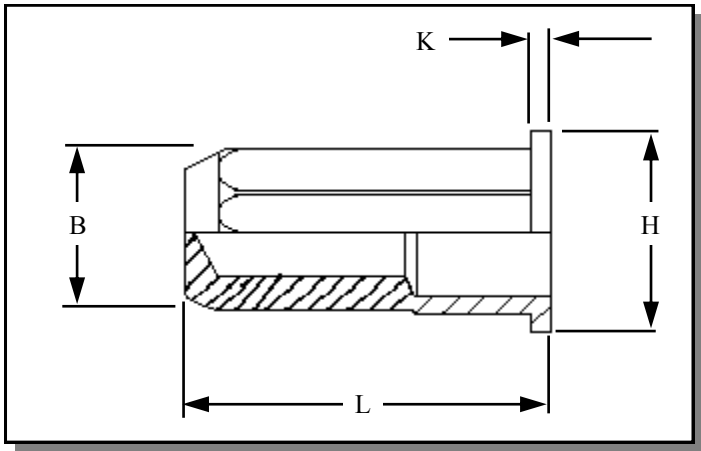




RIVETNUT TECHNOLOGY SYSTEMS LIMITED

HFCS-CD IN MILD STEEL



All Hexagon body flat head closed ended Rivetnuts for material up to 6.00 mm thick

All dimensions in mm
Material :- Mild Steel
Finish :- Zinc Cr3

R.T.S. SALES LINE
01296 330331

TECHNICAL DATA SHEET

THREAD SIZE	GRIP RANGE	HOLE SIZE -0.0 +0.10	BODY A/F "B"	HEAD DIA "H" ± 0.10	LENGTH "L"	"K"	PART NUMBER
M4	0.50 to 2.00	6.10	6.00	9.00	15.50	1.00	HFCS-04020-CD
M5	0.50 to 3.00 3.00 to 5.00	7.10	7.00	10.00	19.00 21.50	1.00	HFCS-05030-CD HFCS-05030-CD
M6	0.50 to 3.00 3.00 to 5.50	9.10	9.00	13.00	23.00 25.00	1.50	HFCS-06030-CD HFCS-06055-CD
M8	0.50 to 3.00 3.00 to 5.50	11.10	11.00	16.00	26.00 28.50	1.50	HFCS-08030-CD HFCS-08055-CD
M10	0.80 to 3.50 3.50 to 6.00	13.10	13.00	19.00	33.00	2.00	HFCS-10035-CD HFCS-10060-CD

PARTS IN BLUE ARE MADE TO ORDER

For additional information and technical support please contact R.T.S. technical sales department . R.T.S. reserve the right to change specifications at any time . Information given is for guidance only and should not be used for specific design criteria without reference to our application engineers.